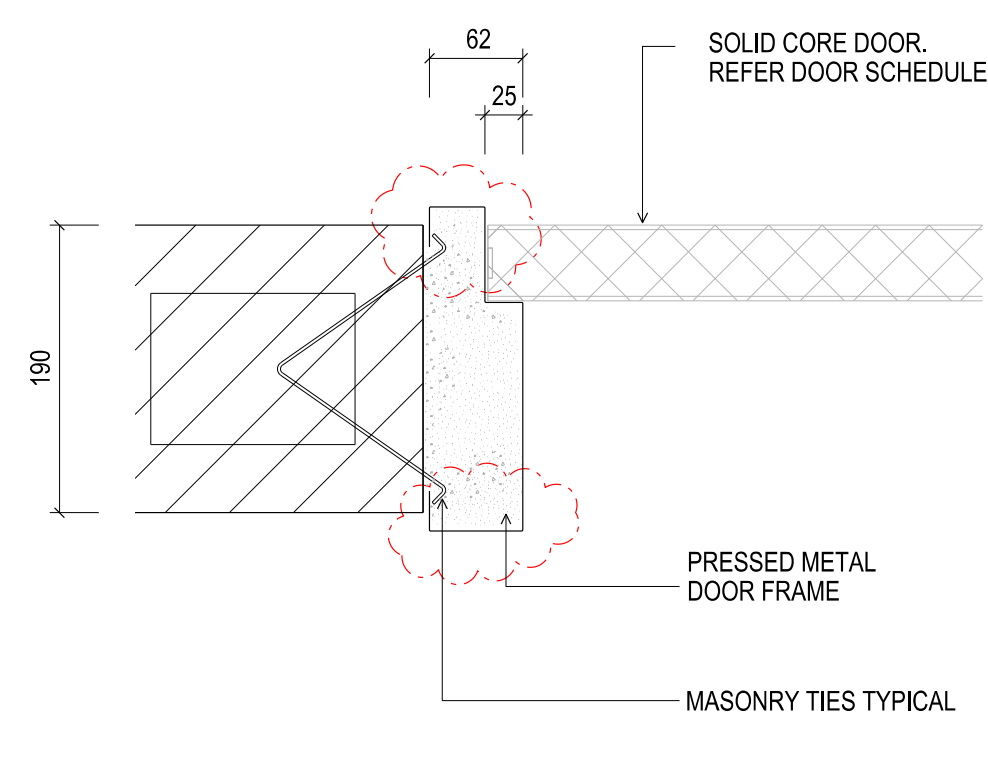
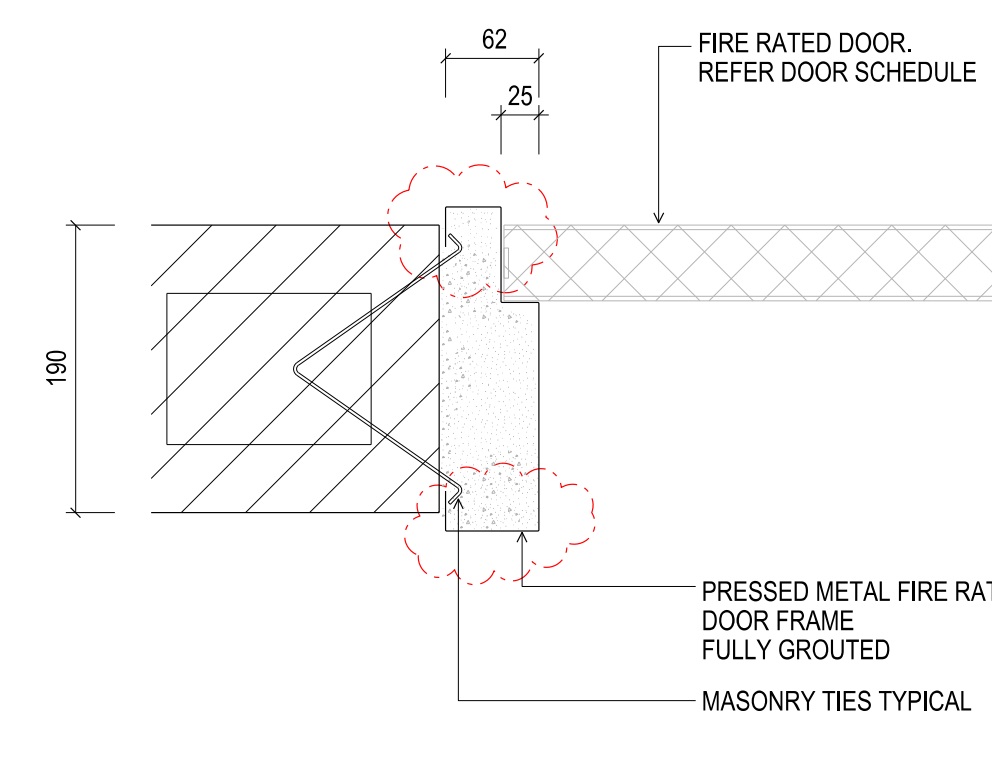


CONTRACTORS SHALL VERIFY DIMENSIONS BEFORE ANY JOB COMMENCES. ALL SHOP DRAWINGS SHALL BE SUBMITTED TO THE SUPERINTENDENT AND MANUFACTURER. SHALL NOT COMMENCE FROM THE RETURN OF DIMENSIONS SHOP DRAWINGS ISSUED BY THE CONSULTANT. DIMENSIONS SHALL TAKE PRECEDENCE OVER SCALES. THIS DRAWING SHALL BE READ IN CONJUNCTION WITH ALL RELEVANT CONTRACT SPECIFICATIONS AND DRAWINGS COPYRIGHT OF THIS DRAWING IS VESTED IN WARDLE

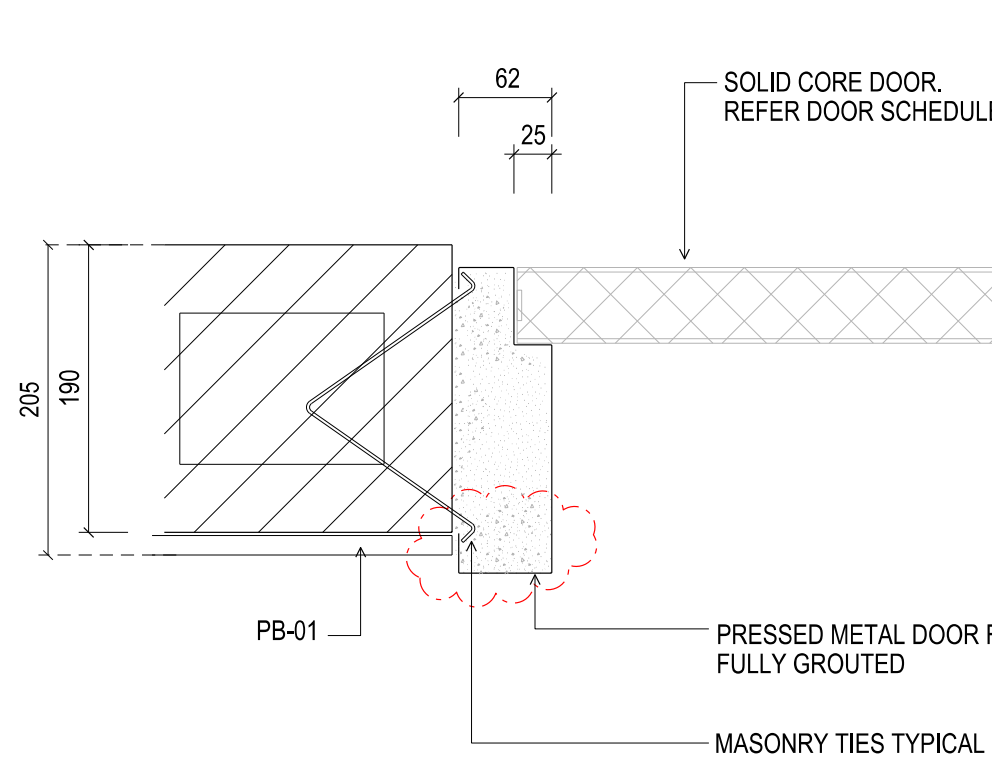
General Notes



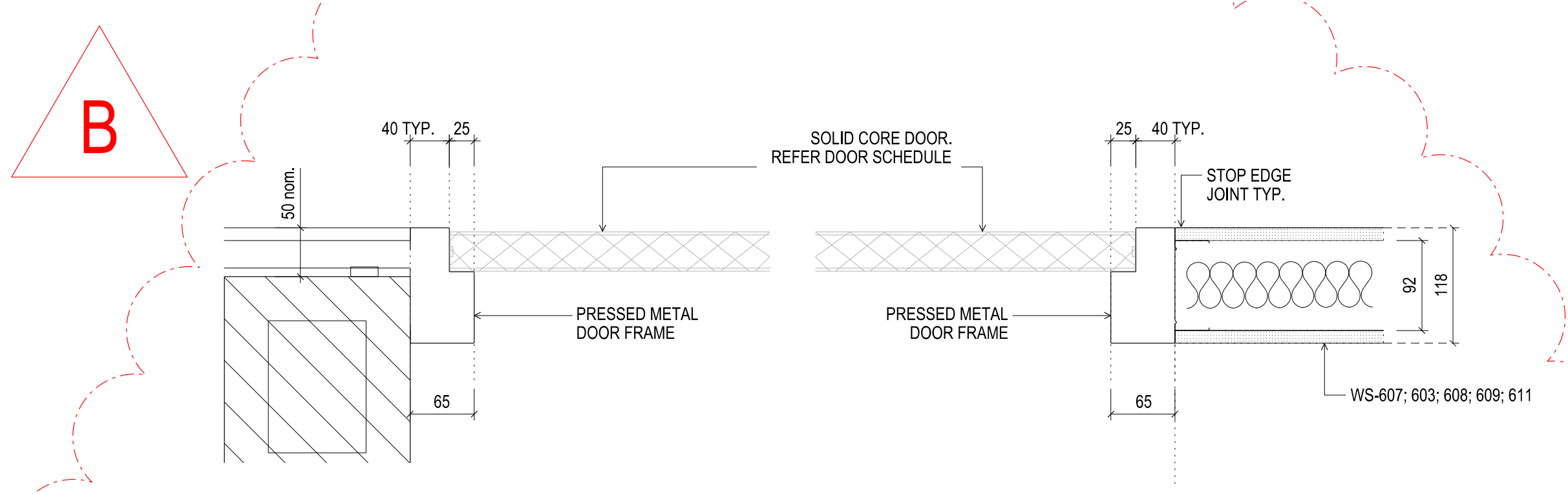
01 DOOR FRAME TYPE B DETAIL
190 BLOCKWORK
SCALE 1:5
TO SUIT WALL TYPE WB-201 & WB-202 DOORS DB-12; DB-13;



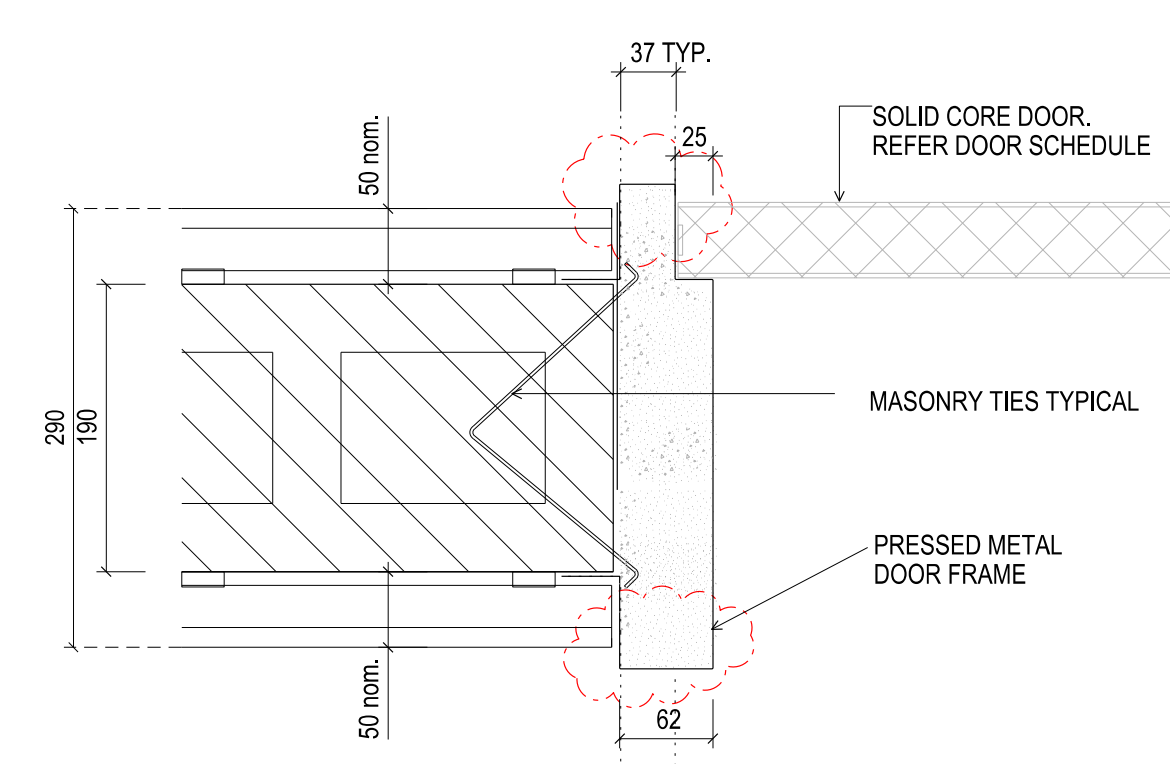
02 DOOR FRAME TYPE C DETAIL (FIRE RATED)
190 BLOCKWORK
SCALE 1:5
TO SUIT WALL TYPE WB-202 DOORS DB-22; DB-24; DB-25; DB-35; DG-19; DG-20



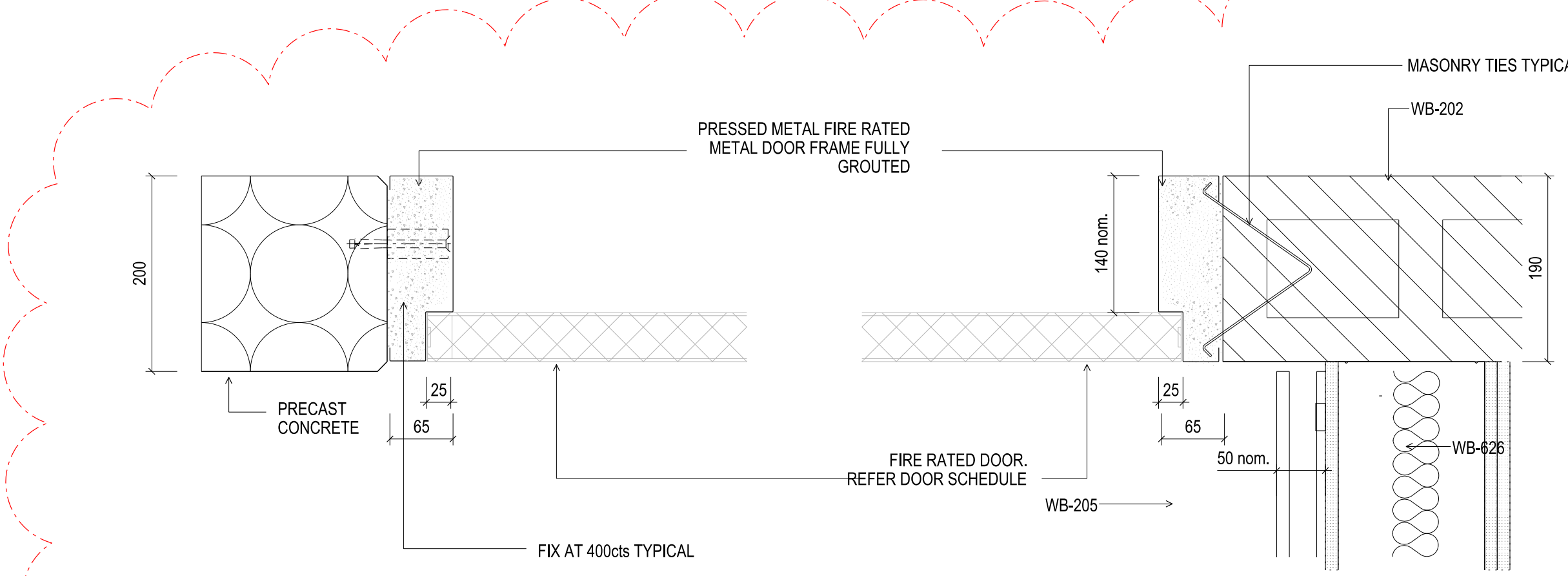
03 DOOR FRAME TYPE B DETAIL - DIRECT FIX
190 BLOCKWORK
SCALE 1:5
TO SUIT WALL TYPE WB-201 DOORS DG-58;



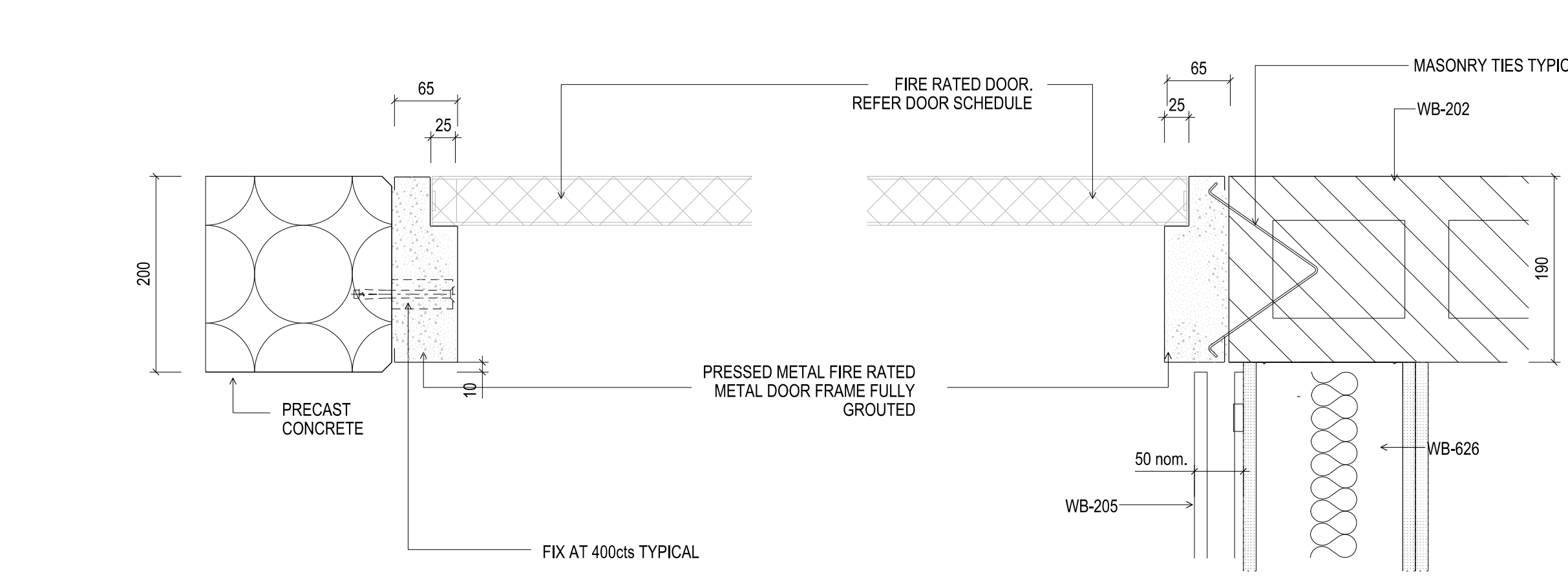
14 DOOR FRAME TYPE B
90 STEEL STUD WITH LINING TO BOTH FACES
SCALE 1:5
TO SUIT WALL TYPE WS-601; WS-602; WS-608 WS-609; WS-611 DOORS DB-34



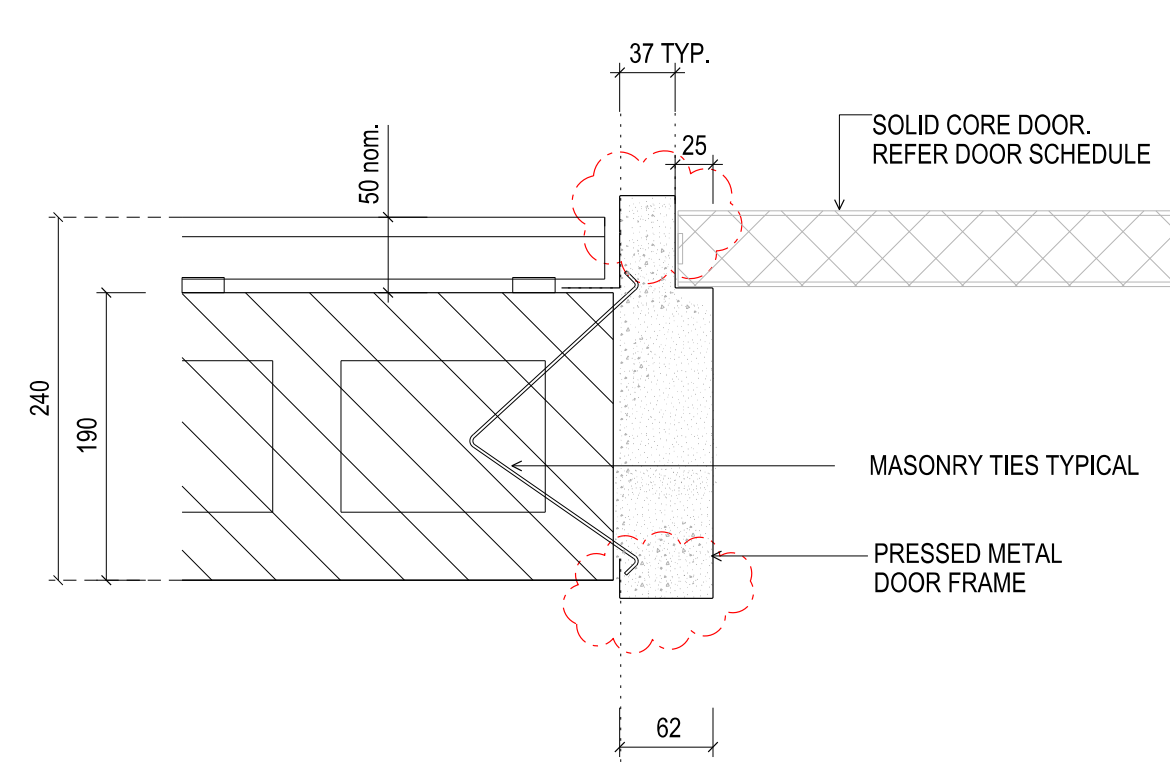
05 DOOR FRAME TYPE B
190 BLOCKWORK WITH LINING TO BOTH FACES
SCALE 1:5
TO SUIT WALL TYPE WB-201 + WS-201 + WL-34 DOORS DB-14;



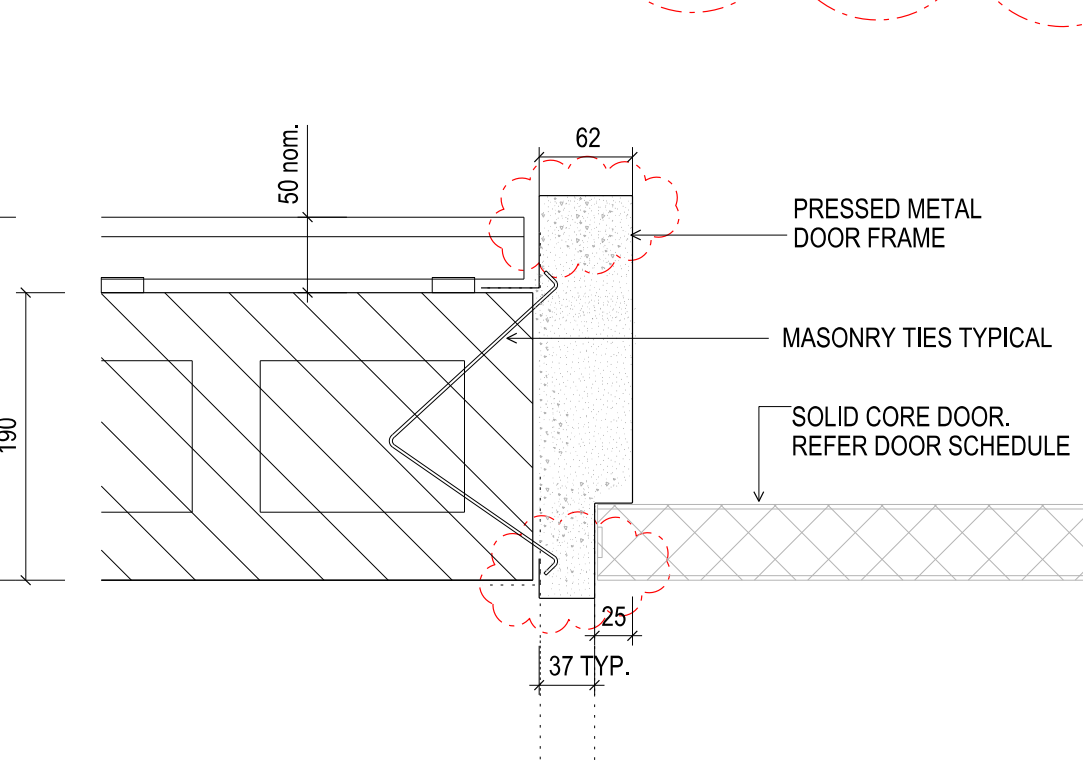
11 DOOR FRAME TYPE C DETAIL (FIRE RATED)
190 BLOCKWORK - 200 PRE-CAST CONCRETE
SCALE 1:5
TO SUIT WALL TYPE WB-201 + PB-01 DOORS DG-23



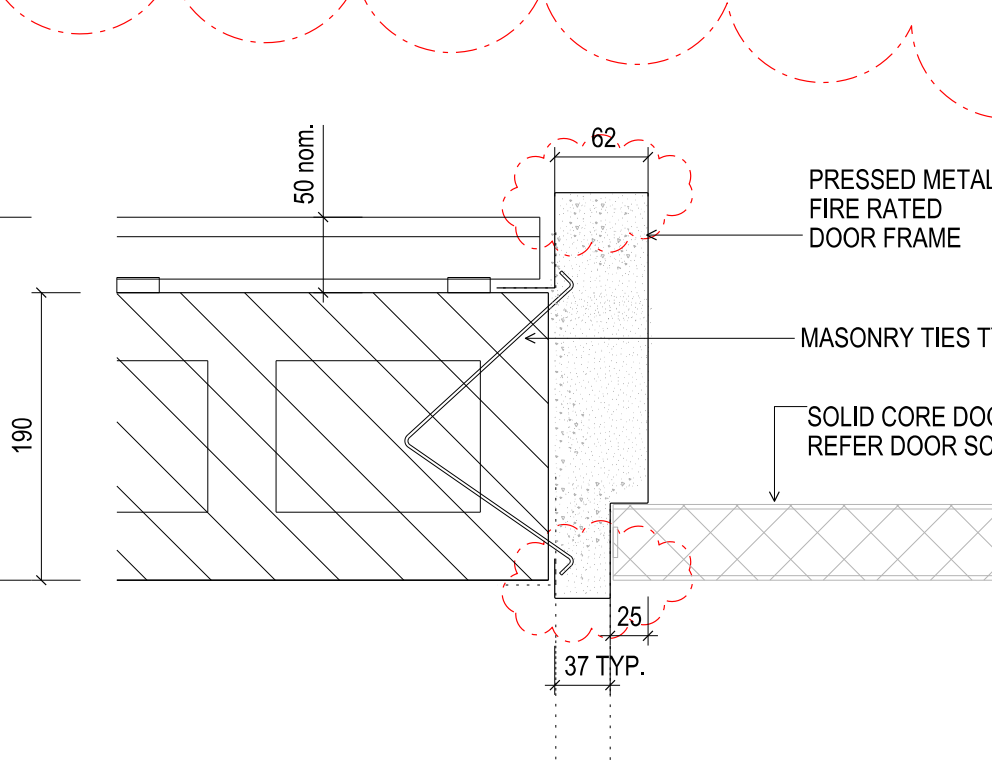
12 DOOR FRAME TYPE C DETAIL (FIRE RATED)
190 BLOCKWORK - 200 PRE-CAST CONCRETE
SCALE 1:5
TO SUIT WALL TYPE WB-201 + PB-01 DOORS DB-01; D1-05; D2-01 D3-01; D4-04



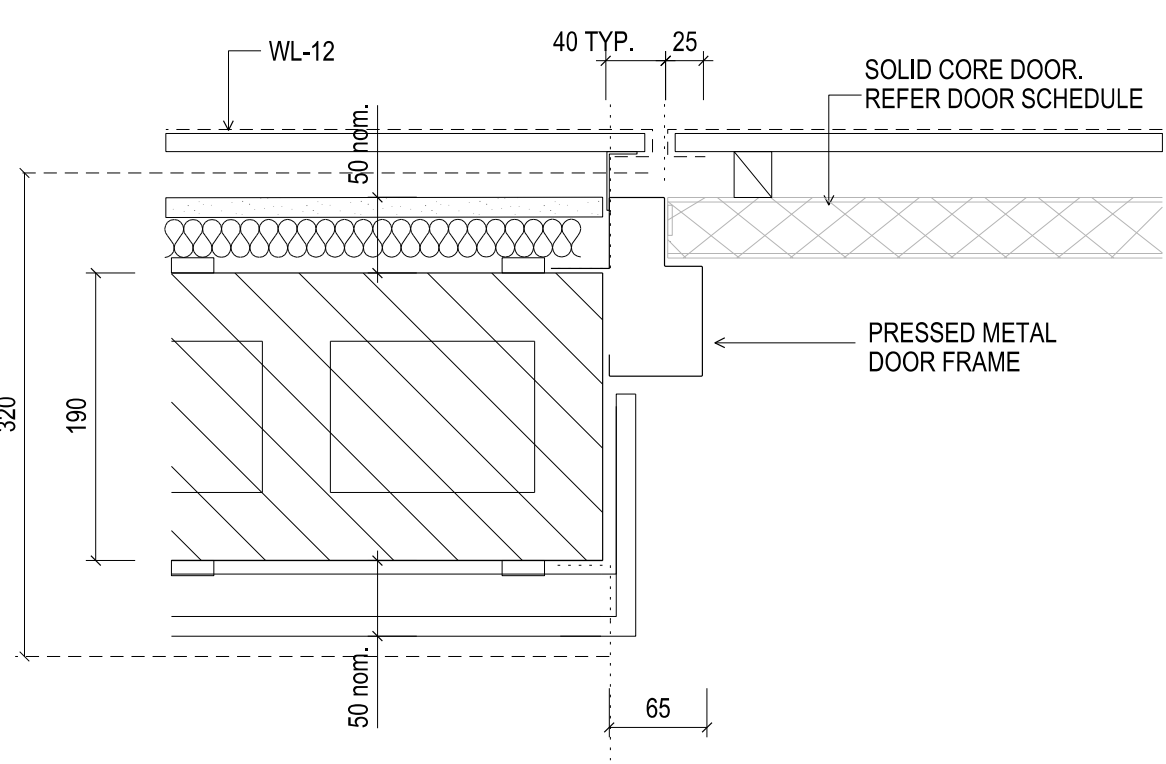
06 DOOR FRAME TYPE B
190 BLOCKWORK WITH LINING TO ONE FACE
SCALE 1:5
TO SUIT WALL TYPE WB-201 + WS-202 DOORS DB2-53; TO SUIT WALL TYPE WB-201 + WS-204 DOORS DG-52;



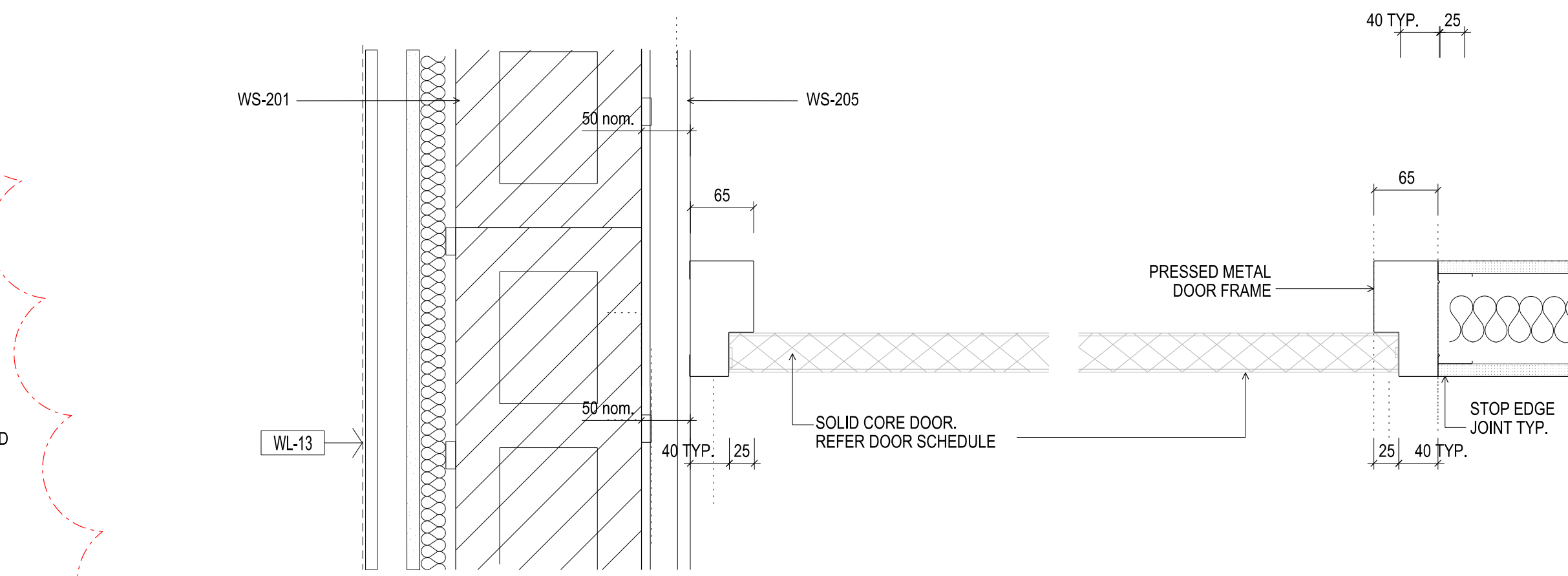
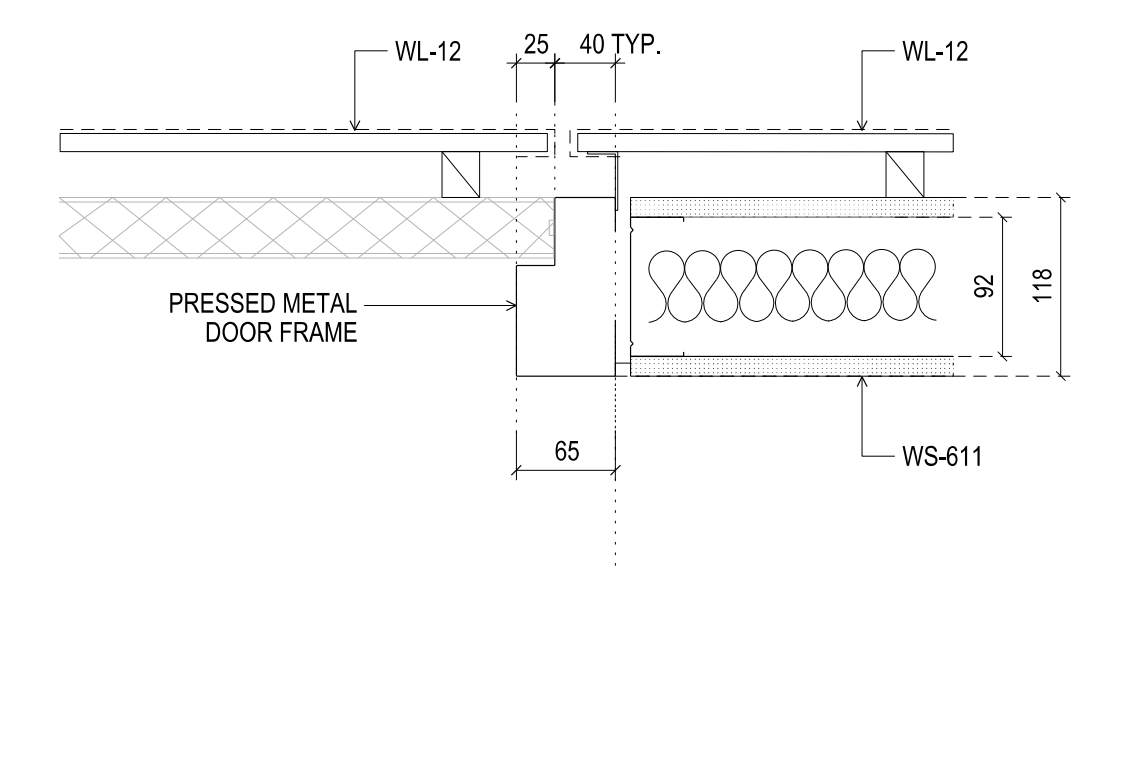
07 DOOR FRAME TYPE B
190 BLOCKWORK WITH LINING TO ONE FACE
SCALE 1:5
TO SUIT WALL TYPE WB-201 + WL-34 DOORS DB-21;



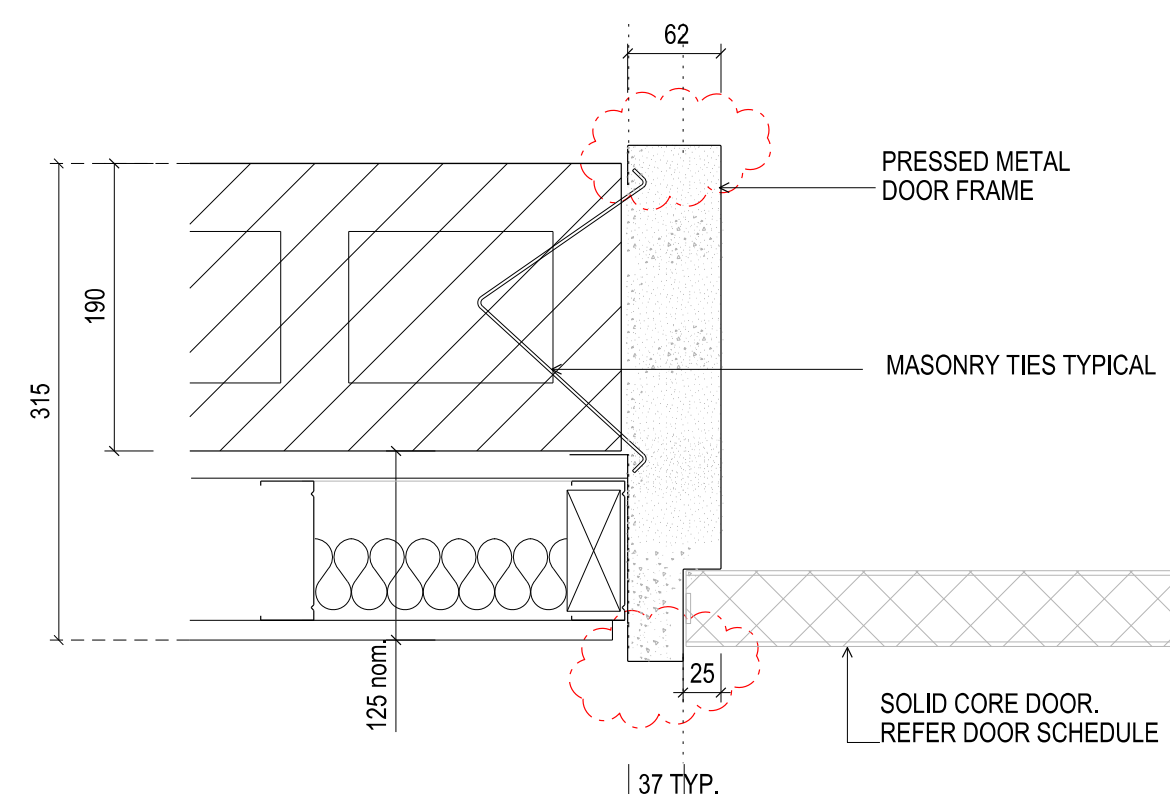
08 DOOR FRAME TYPE C (FIRE RATED)
190 BLOCKWORK WITH LINING TO ONE FACE
SCALE 1:5
TO SUIT WALL TYPE WB-201 + WS-205 DOORS DB-59;



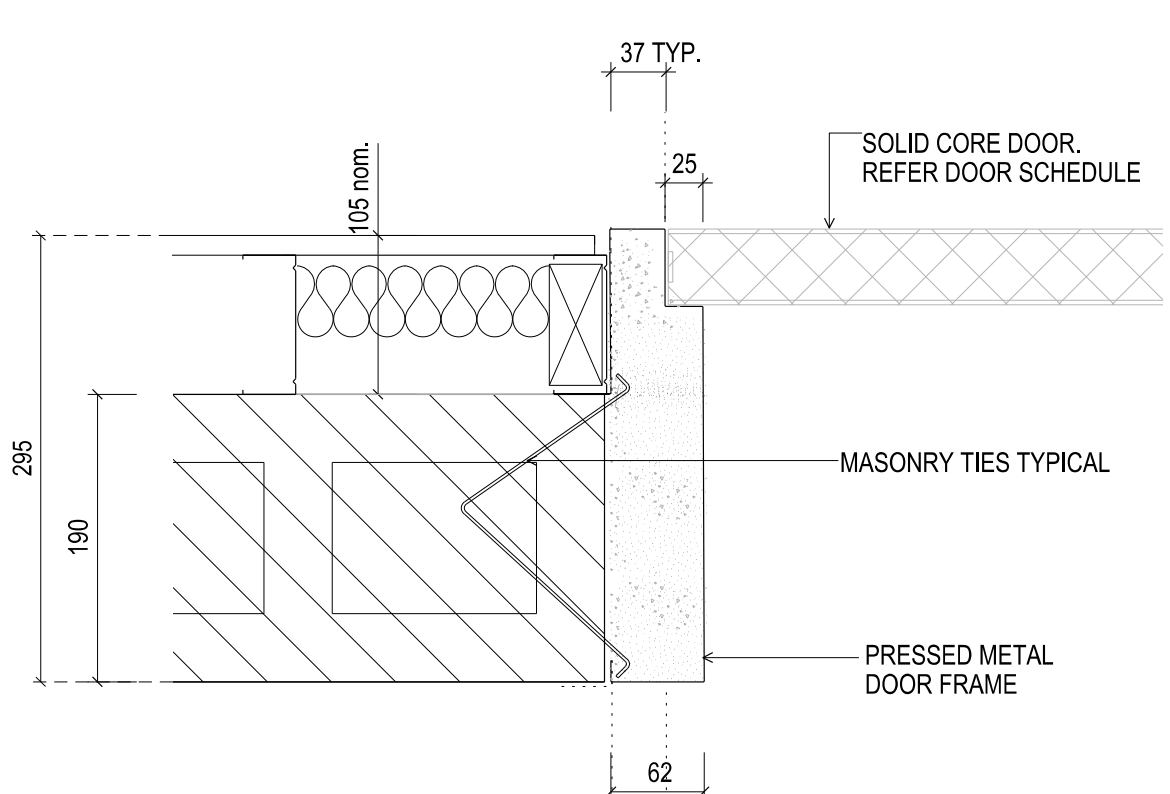
13 DOOR FRAME TYPE B
90 STEEL STUDWORK WITH LINING TO BOTH FACES
SCALE 1:5
TO SUIT WALL TYPE WS-205 DOORS DB-40



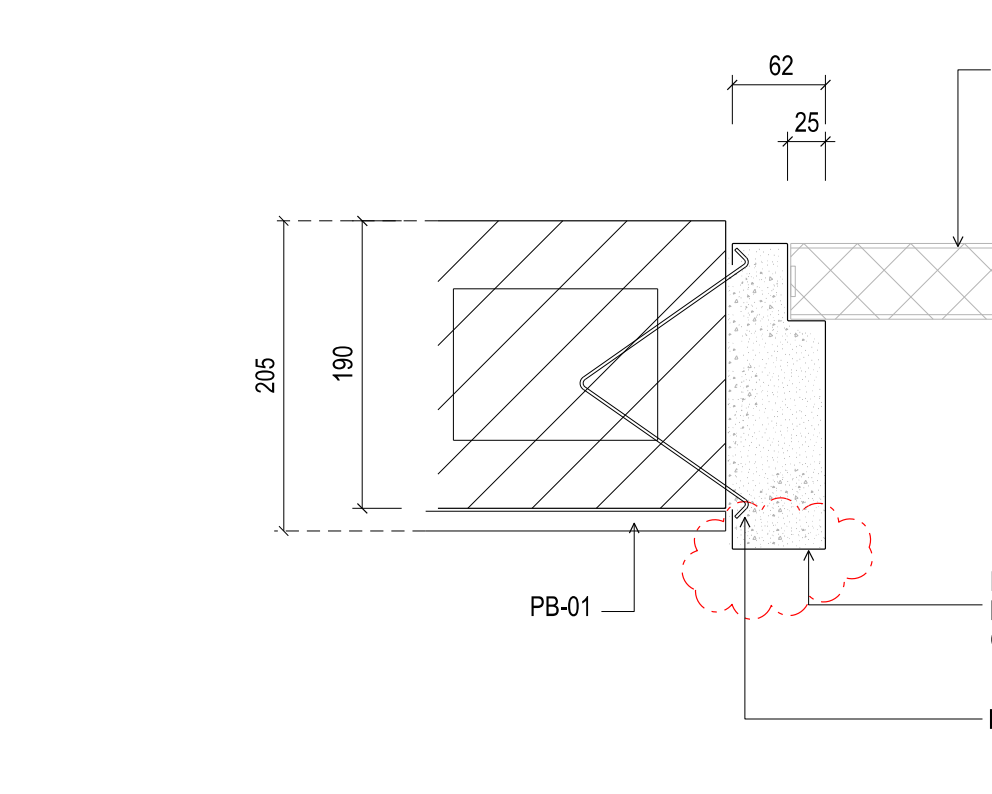
14 DOOR FRAME TYPE B
190 BLOCKWORK WITH LINING TO BOTH FACE
SCALE 1:5
TO SUIT WALL TYPE WS-205 + WL-12 DOORS DB-40A



09 DOOR FRAME TYPE B
190 BLOCKWORK WITH LINING TO ONE FACE
SCALE 1:5
TO SUIT WALL TYPE WB-201 + WS-612 DOORS DB-33; DB-63; TO SUIT WALL TYPE WB-201 + WS-618 DOORS DB-58;



10 DOOR FRAME TYPE B
190 BLOCKWORK WITH LINING TO ONE FACE
SCALE 1:5
TO SUIT WALL TYPE WB-202 DOORS DB-61; DB-62;



04 DOOR FRAME TYPE C DETAIL (FIRE RATED)
- DIRECT FIX PLASTERBOARD LINING TO ONE SIDE
SCALE 1:5
TO SUIT WALL TYPE WB-201 + PB-01 DOORS DG-39;

Rev	Issue	Revision Description	And	Date
B	SO	UPDATES AS CLOUSED		18.10.13
A	SG	ISSUED FOR CONSTRUCTION		26.09.2013



NADAAA
NADAAA
1920 Washington Street No.2 Boston Massachusetts 02118 USA
Telephone +1 617 442 8232 Facsimile +1 688 442 1417 Email nad@nadaaa.com

John Wardle Architects
25 Rokeby Street, Collingwood, Victoria 3066 Australia
Tel: +61 3 8662 0400 www.johnwardlearchitects.com
© 2012 John Wardle Architects ABN 83 006 814 268

Client **University of Melbourne Parkville Campus**
Project **Faculty of Architecture Building and Planning**

Title **DOOR JAMB DETAILS SHEET 01**

Project No.	0913	Scale	
Drawing No.	AR 7506	Revision	B
Date	Dwn	Co-Ord	Chk

FILENAME - \$FILES
FOR CONSTRUCTION

AR-7506